



BioGreen³⁶⁰

Leading-Edge Technology for Sustainable Organic Waste Solutions

BioGreen360 is a totally self-contained, continual feed, aerobic, organic waste digester. This revolutionary system biologically converts organic waste into a dry, sterile, high-nutrient product suitable as a fertilizer additive, reducing the negative environmental impact and costs associated with landfill dumping.



Call for details and product information: info@BioGreen360.com / 603.570.6159 / BioGreen360.com

Product Specifications

Required Clearances:

Top: 16" for lid up
 Sides: 30" side panel opening
 Back: 6" air exhaust
 Front: 30" front panel opening

Electrical:

220 volts
 60.0 amps
 60 cycle/Hz
 3 ph w/ground

Main Unit:

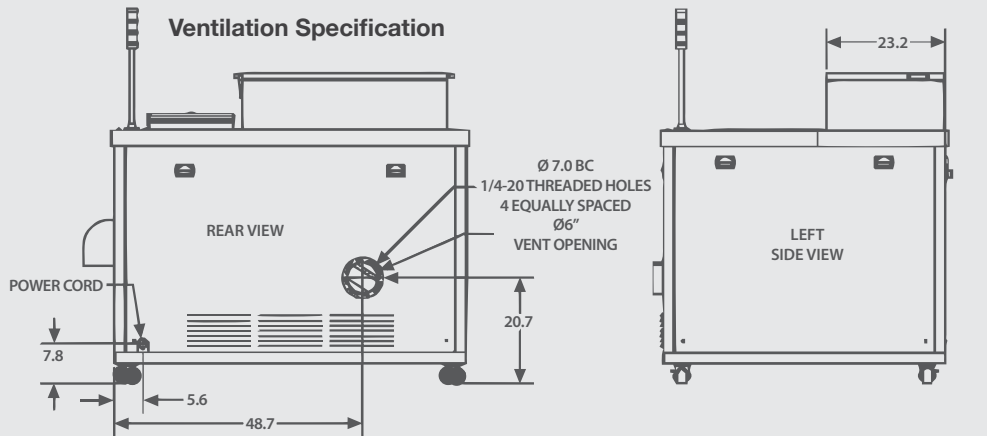
Height: 79.60"
 Width: 56.14"
 Depth: 54.72"

Crated Dimensions:

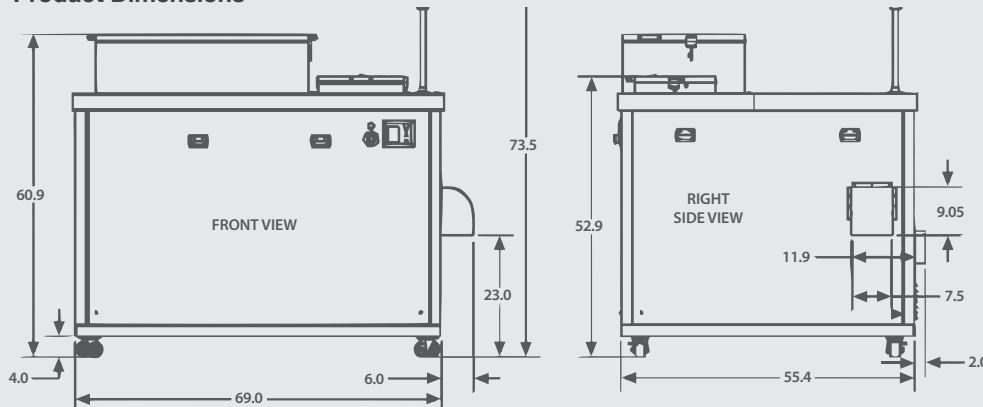
Width: 90"
 Depth: 65"
 Height: 68"

Net Weight: 2,143 pounds

Crated Weight: 2,543 pounds



Product Dimensions



Standard Features

- Robust state-of-the-art technologies for aerobic digestion and drying.
- Proprietary microorganism formulations specific to type of waste generated.
- Stainless steel cabinet for easy cleaning and long life.
- Fully functional touchscreen control system.
- Autonomous 24/7 operation.
- Fully integrated safety and security monitoring, sensors and interlocks.
- Easy installation – just plug it in – no water supply or drainage required.
- Quiet, clean, cost effective, sanitary.

BioGreen360 accelerates the natural decomposition process of organic waste through the utilization of advanced proprietary microorganisms, while maintaining optimal levels of aeration, moisture and temperature. These unique microorganisms safely decompose organic waste without soil or ground water contamination into a product that is 10%–15% of its original weight and volume.

Schedule a Demo Today:

info@BioGreen360.com / 603.570.6159 / BioGreen360.com