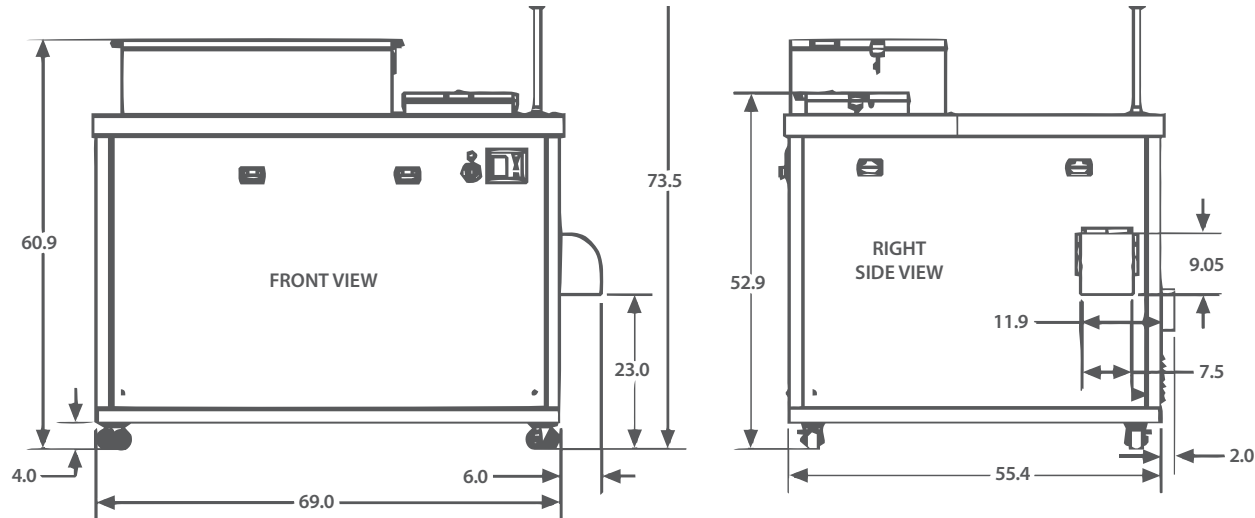


Product Specifications

Product Dimensions



Required Clearances:

Top: 16" for lid up

Sides: 30" side panel opening

Back: 6" air exhaust

Front: 30" front panel opening

Electrical:

220 volts

60.0 amps

60 cycle/Hz

3 ph w/ground

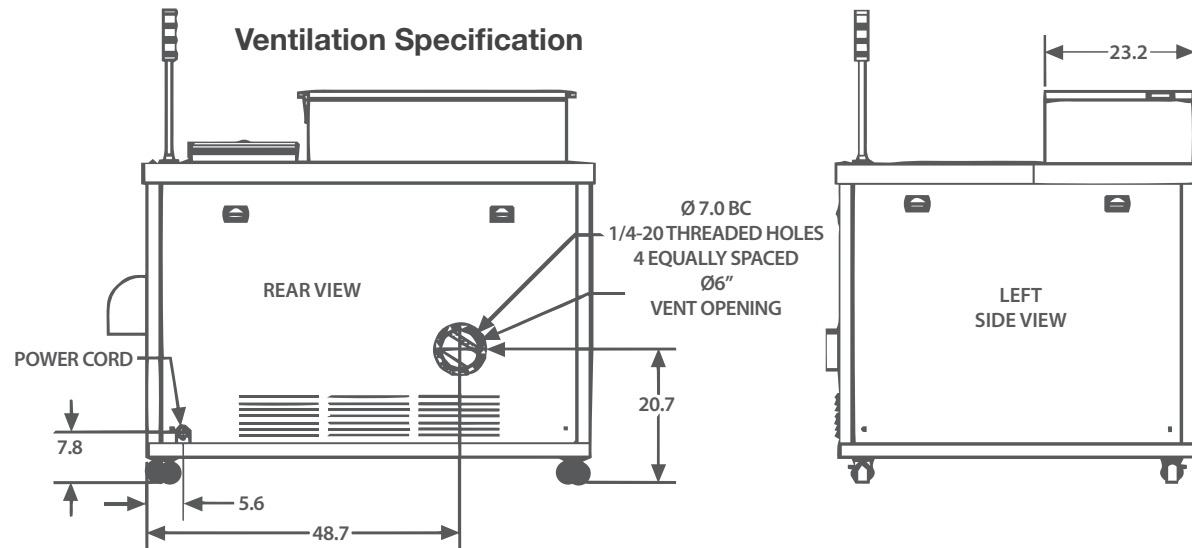
Main Unit:

Height: 79.60"

Width: 56.14"

Depth: 54.72"

Ventilation Specification



Crated Dimensions:

Width: 90"

Depth: 65"

Height: 68"

Net Weight: 2,143 pounds

Crated Weight: 2,543 pounds

Schedule a Demo Today:

info@BioGreen360.com / 603.570.6159 / BioGreen360.com